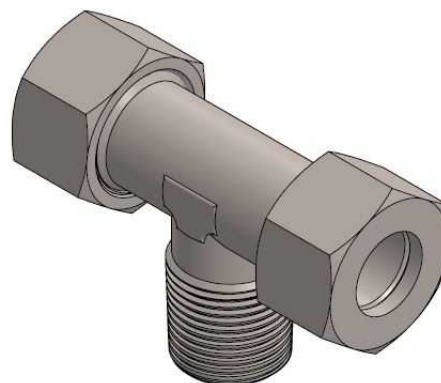
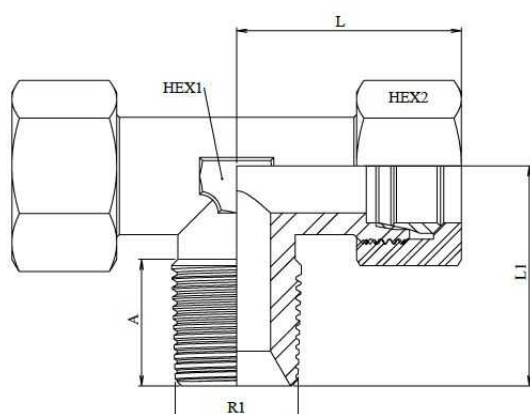


Racores DIN 2353

TES rosca central

Racor en T rosca cónica NPT

Acero Inoxidable AISI 316-L



Artículo	ØD1	Serie	R1	Presión trabajo (bar)	L	L1	HEX 1	HEX 2	A
Z FKL 6 R 1/8 NPT	6	L	1/8" NPT	315	27	12	12	14	8
Z FKL 8 R 1/4 NPT	8	L	1/4" NPT	315	29	14	12	17	12
Z FKL 10 R 1/4 NPT	10	L	1/4" NPT	315	30	15	14	19	12
Z FKL 12 R 3/8 NPT	12	L	3/8" NPT	315	32	17	17	22	12
Z FKL 18 R 1/2 NPT	18	L	1/2" NPT	315	36	21	17	27	14
Z FKL 22 R 3/4 NPT	22	L	3/4" NPT	160	40	23,5	19	32	14
Z FKL 28 R 1 NPT	28	L	1" NPT	160	44	27,5	24	36	23
Z FKL 35 R 1 1/4 NPT	35	L	1" 1/4 NPT	160	47	30,5	27	41	23
Z FKL 42 R 1 1/2 NPT	42	L	1" 1/2 NPT	160	56	34,5	32	50	22
Z FKS 6 R 1/4 NPT	6	S	1/4" NPT	630	31	16	12	17	12
Z FKS 10 R 3/8 NPT	10	S	3/8" NPT	630	32	17	14	19	12
Z FKS 12 R 3/8 NPT	12	S	3/8" NPT	630	34	17,5	17	22	12
Z FKS 14 R 1/2 NPT	14	S	1/2" NPT	630	38	21,5	17	24	13,5
Z FKS 16 R 1/2 NPT	16	S	1/2" NPT	400	43	24,5	24	30	15,5
Z FKS 20 R 3/4 NPT	20	S	3/4" NPT	400	48	26,5	27	36	17
Z FKS 25 R 1 NPT	25	S	1" NPT	400	54	30	36	46	18
Z FKS 30 R 1 1/4 NPT	30	S	1" 1/4 NPT	400	62	35,5	41	50	27
Z FKS 38 R 1 1/2 NPT	38	S	1" 1/2 NPT	315	70	38	50	60	30